



Plate - Cutting Blade Arm - No Paint

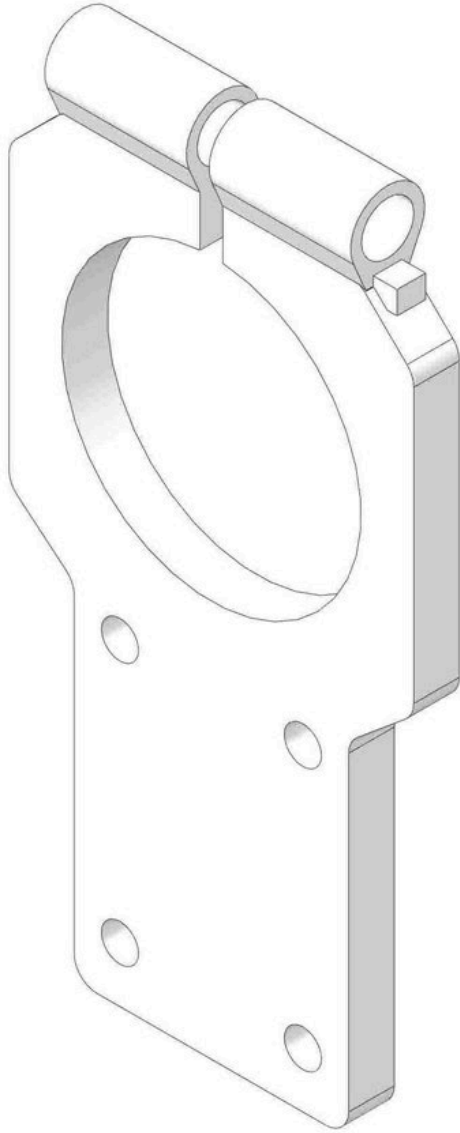
R001317NP



Specifications

Manufacturer

R&R Products



R&R Products Inc

3334 E Milber St Tucson, 85714

800-528-3446

<https://www.rrproducts.com/>