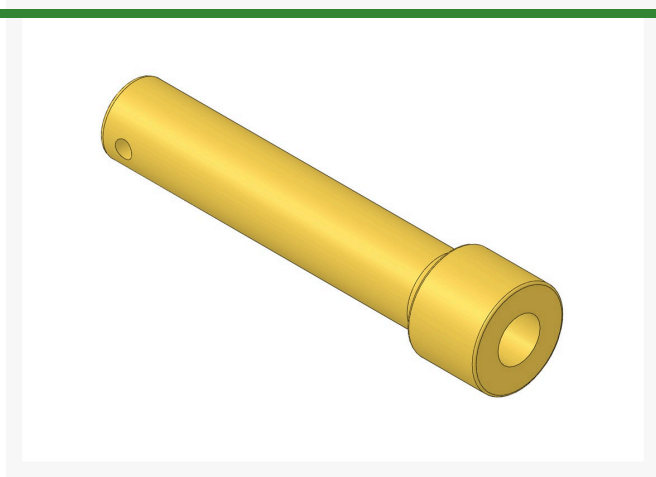
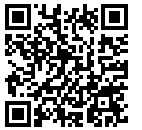




# Mandrel - Bearing

R303558M



## Details

R&R Mandrels allow proper installation of races, seals, bushings and bearings. Tools are constructed of solid steel and precision machined for exact fit.

## Specifications

Manufacturer

R&R Products

**R&R Products Inc**

3334 E Milber St Tucson, 85714

800-528-3446

<https://www.rrproducts.com/>