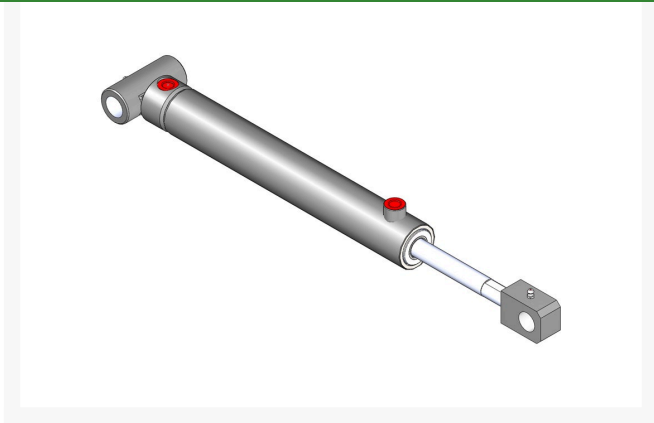




# Hydraulic Cylinder

R163217



### Replaces

Jacobsen 163217

### Specifications

Manufacturer R&R Products

### Fits Models

Jacobsen Ram Lift  
R&R Products Power Lift 5133GD  
R&R Products Power Lift 7180GD

### Replacement Parts

R302-5 Fitting - Grease  
R503067 Seal Kit - Fits R163217 Cyl

## R&R Products Inc

3334 E Milber St Tucson, 85714  
800-528-3446

<https://www.rrproducts.com/>