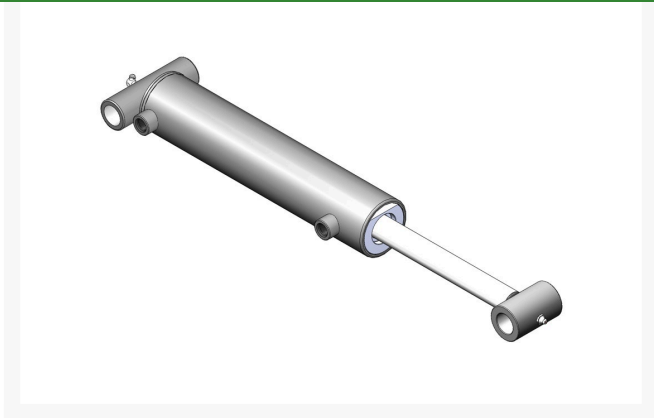




Hydraulic Cylinder - Outrigger

R163216



Replaces

Jacobsen 163216

Specifications

Manufacturer R&R Products

Fits Models

Jacobsen Ram Lift
R&R Products Power Lift 5133GD
R&R Products Power Lift 7180GD

Replacement Parts

R130210N1	Locknut - 3/4-16 Stover Zinc
R471219	Zerk - Grease
R500799	Seal Kit - Fits R163216 Cyl
R700415	Zerk - Grease 1/8 PTF 45 Deg

R&R Products Inc

3334 E Milber St Tucson, 85714
800-528-3446

<https://www.rrproducts.com/>