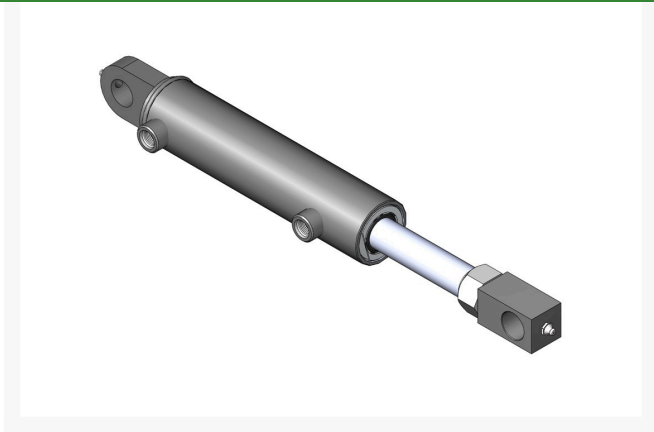




Hydraulic Cylinder

R163214



Replaces

Jacobsen 163214

Specifications

Manufacturer R&R Products

Fits Models

Jacobsen Ram Lift
R&R Products Power Lift 5133GD
R&R Products Power Lift 7180GD

Replacement Parts

R130210N1	Locknut - 3/4-16 Stover Zinc
R130210N2	Nut - 1-14 Hex Jam C/Zinc
R471219	Zerk - Grease
R500798	Seal Kit - Fits R130210 Cylinder

R&R Products Inc

3334 E Milber St Tucson, 85714
800-528-3446

<https://www.rrproducts.com/>