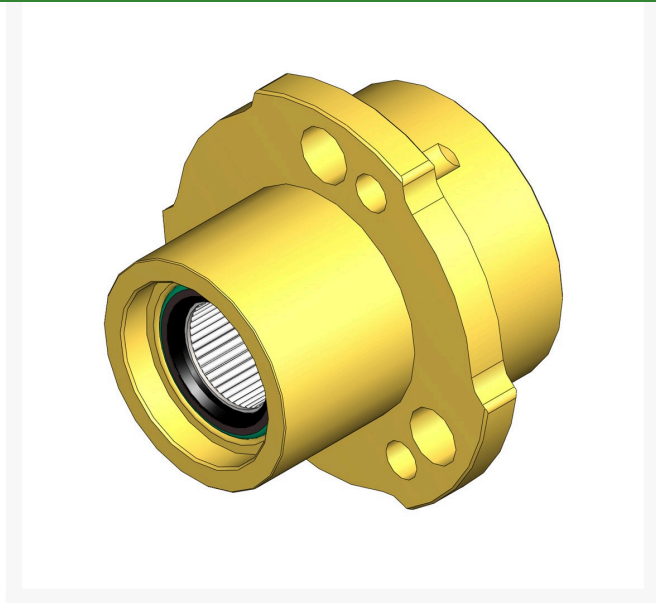




Hub Assy - LH

R1000477



Details

Includes R338766 & R366705

Replaces

Jacobsen 1000477

Specifications

Manufacturer R&R Products

Fits Models

- Jacobsen Eclipse 118
- Jacobsen Eclipse 118F
- Jacobsen Eclipse 122
- Jacobsen Eclipse 122F
- Jacobsen Eclipse 126
- Jacobsen Greens King 422
- Jacobsen Greens King 518
- Jacobsen Greens King 522
- Jacobsen Greens King 526
- R&R Products Greens Max 4018
- R&R Products Greens Max 4022
- R&R Products Greens Max 4026

Replacement Parts

- | | |
|---------|--|
| R338766 | Bearing - Clutch
Differential Shaft |
| R366705 | Seal - Grease |

R&R Products Inc

3334 E Milber St Tucson, 85714
800-528-3446

<https://www.rrproducts.com/>