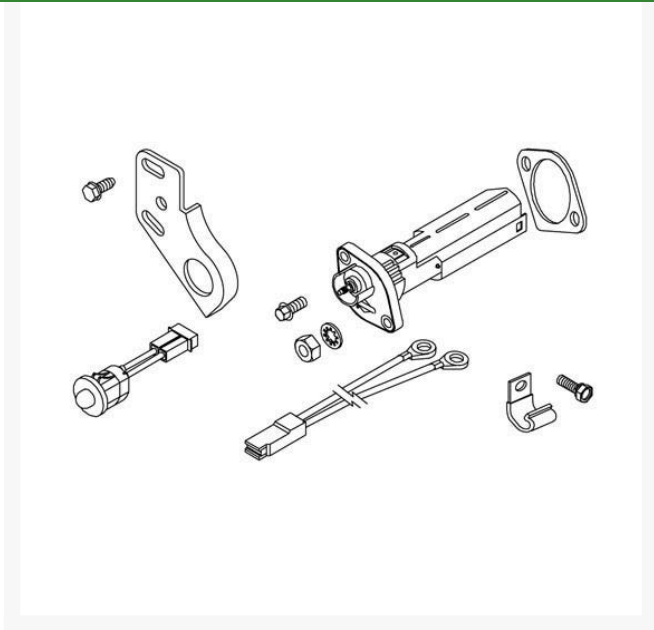




B-S Kit-Oil Gard RS492697



Details

Oil Gard Kit 9 Gross HP Vanguard. Oil Gard automatically stops the engine if the oil level is too low. It can be added to I/C and Vanguard engines equipped to receive it. Models (horizontal crankshaft) - For 9 Gross HP Vanguard. NOTE: Magnetic oil drain plug recommended with Oil Gard

Specifications

Manufacturer

Briggs & Stratton

R&R Products Inc

3334 E Milber St Tucson, 85714

800-528-3446

<https://www.rrproducts.com/>