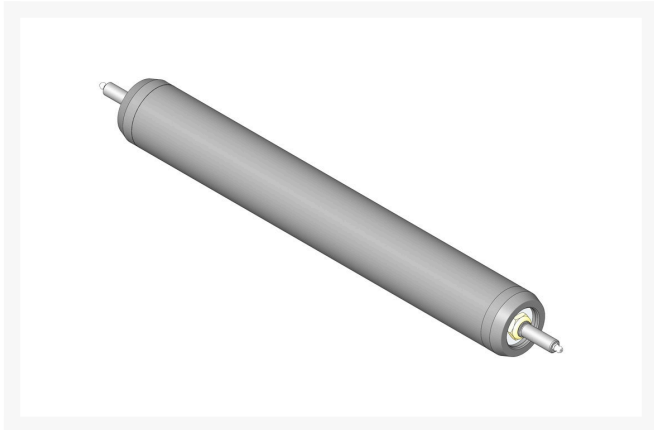




Roller - Smooth Heavy Duty Tubular Steel

R150728



Details

Constructed with a through shaft, this heavy duty roller uses tapered bearings for extended life. Shaft length measures 26-3/4".

Replaces

R&R Products	R99-5749
Toro	99-5749

Specifications

Manufacturer	R&R Products
Overhaul Kit No.	R100141
Roller Body Diameter	3 in
Weight (lbs)	16 lb

Fits Models

- Toro Reelmaster 5500-D
- Toro Reelmaster 6500D
- Toro Reelmaster 6700D

Replacement Parts

R100141	Overhaul Kit - Roller
R500534	Bearing - with Cup
R150729	Shaft - Roller
R253-152	Seal - Inner Roller
R254-79	Cup - Bearing
R254-78	Tapered Bearing Cone
R253-117	Seal - Outer Triple Lip
R5-4038	Sleeve - Wear Reel Shaft
R150504	Washer
R3296-15	Locknut - 3/4-16 Nylon

R&R Products Inc

3334 E Milber St Tucson, 85714
800-528-3446

<https://www.rrproducts.com/>



Roller - Smooth Heavy Duty Tubular Steel

R150728



R302-5

Jam
Fitting - Grease