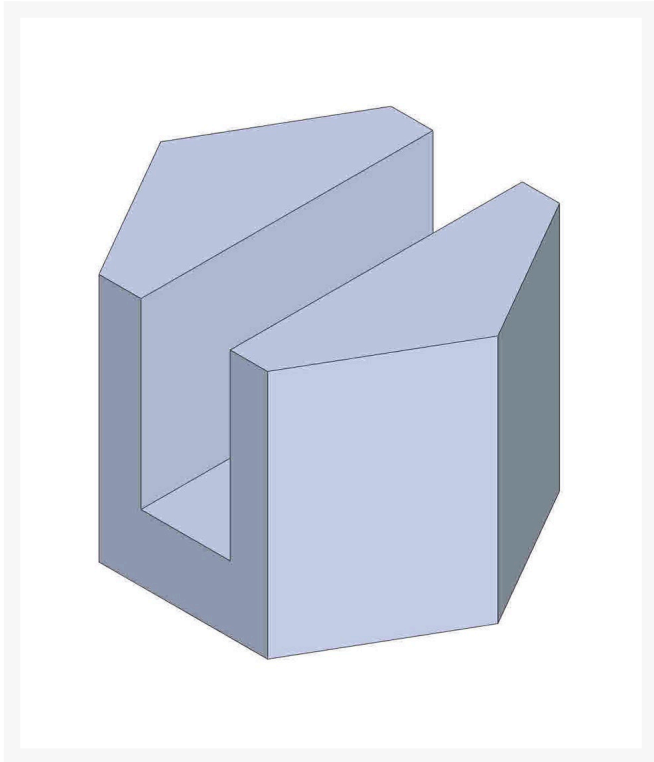




# Orifice - Front .043 Front Lift Cyl

RMT6367



## Replaces

John Deere MT6367

## Specifications

Manufacturer R&R Products

## Fits Models

John Deere 2500 Riding Greens Mower  
John Deere 2500A Riding Greens Mower  
John Deere 2500B Riding Greens Mower  
John Deere 2500E Riding Greens Mower  
John Deere 2500E Hybrid Riding Greens Mower  
John Deere 7500A Reel Mower  
John Deere 7500A E-Cut Hybrid Reel Mower  
John Deere 7700A Reel Mower  
John Deere 8000A E-Cut Hybrid Reel Mower  
John Deere 8700A Reel Mower

## R&R Products Inc

3334 E Milber St Tucson, 85714  
800-528-3446

<https://www.rrproducts.com/>