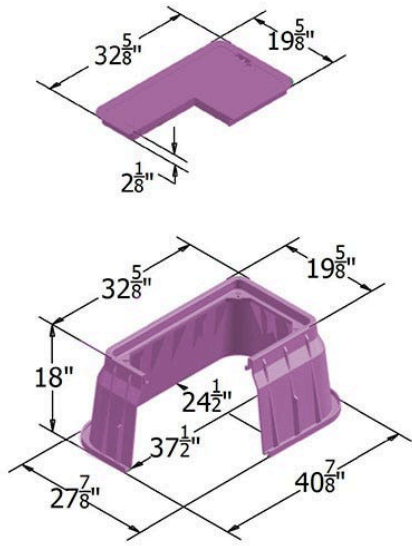




# Carson Valve Box w/Lid 1730 - Purple Blank Lblt RGC17301194



## Specifications

Manufacturer

Carson

**R&R Products Inc**

3334 E Milber St Tucson, 85714

800-528-3446

<https://www.rrproducts.com/>