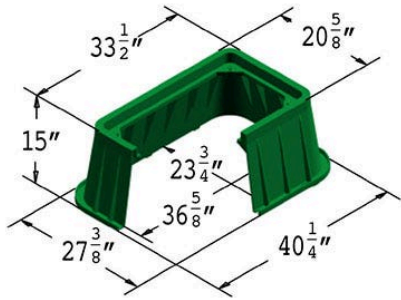
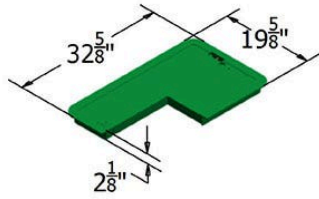




Carson Valve Box w/Lid 1730 - Green

Blank Lpnta

RGC17301109



Specifications

Manufacturer

Carson

R&R Products Inc

3334 E Milber St Tucson, 85714

800-528-3446

<https://www.rrproducts.com/>