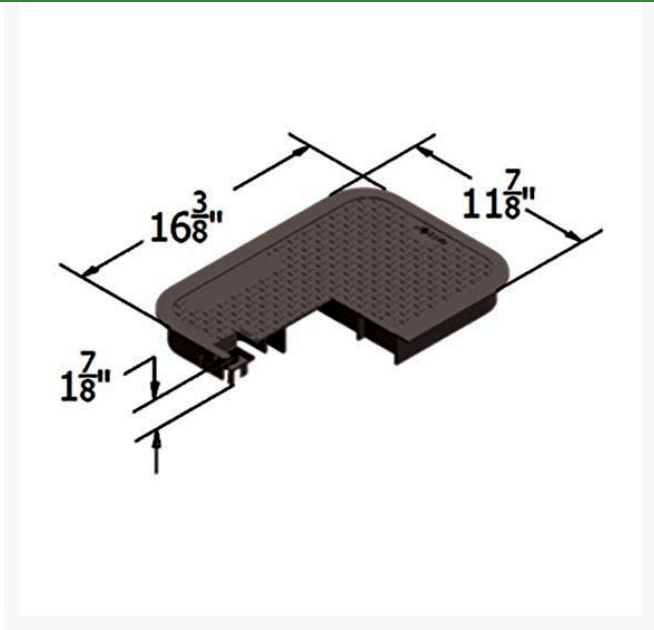




Carson Lid Only 1015 - Black Blank

RGC10154027



Details

Replacement lid for Carson 1015 valve box. HDPE (high-density polyethylene) construction. UV inhibitors. Made in USA.

Specifications

Manufacturer	Carson
Indicator	Blank
Lid Color	Black

R&R Products Inc

3334 E Milber St Tucson, 85714
800-528-3446

<https://www.rrproducts.com/>