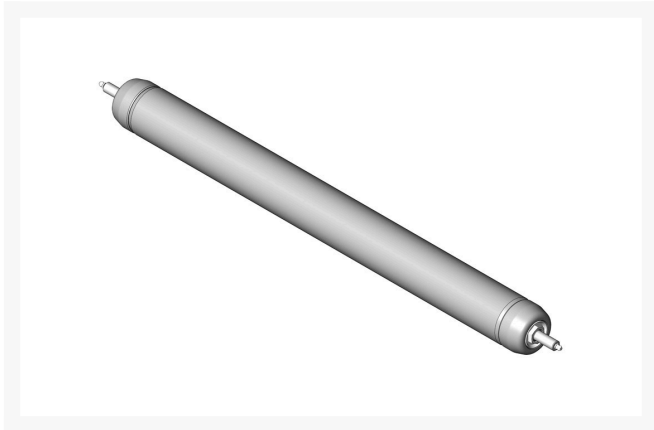




# Roller - Smooth Front Steel - 32" Units

R114-9384



## Details

Constructed with a through shaft, this heavy-duty roller uses greasable ball bearings.

## Replaces

Toro 114-9384

## Specifications

Manufacturer	R&R Products
Overhaul Kit No.	R114-5430
Roller Body Diameter	3 in
Weight (lbs)	22 lb

## Fits Models

Toro Reelmaster 3100-D  
Toro Reelmaster 7000-D

## Replacement Parts

R114-5430	Overhaul Kit - Roller
R117-0987	Shaft - Front Roller
R114-3717	Seal
R112-7494	Seal
R112-5290	Bearing - Stainless
R114-3745	Locknut - Bearing - Stainless
R302-5	Fitting - Grease

## R&R Products Inc

3334 E Milber St Tucson, 85714  
800-528-3446

<https://www.rrproducts.com/>