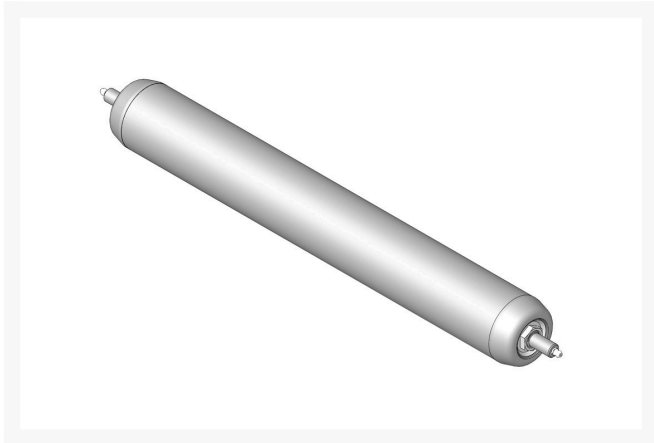




# Roller - Smooth Tubular Steel

R114-5415



## Details

Constructed with a through shaft, this heavy duty roller uses greasable stainless ball bearings. (2008 & Up)

## Replaces

R&R Products	114-5415
Toro	114-5415

## Specifications

Manufacturer	R&R Products
Overhaul Kit No.	R114-5430
Roller Body Diameter	3 in
Weight (lbs)	17.5 lb

## Fits Models

- R&R Products Reel Max 544D
- R&R Products Reel Max 744D
- Toro Reelmaster 3575-D
- Toro Reelmaster 5010-H
- Toro Reelmaster 5210-D
- Toro Reelmaster 5410-D
- Toro Reelmaster 5410G
- Toro Reelmaster 5510-D
- Toro Reelmaster 5510-G
- Toro Reelmaster 5610-D
- Toro Reelmaster 6500D
- Toro Reelmaster 6700D

## Replacement Parts

R114-5430	Overhaul Kit - Roller
R114-5407	Shaft - Long Rear Roller

## R&R Products Inc

3334 E Milber St Tucson, 85714  
800-528-3446

<https://www.rrproducts.com/>



# Roller - Smooth Tubular Steel

R114-5415



---

R114-3717	Seal
R112-5290	Bearing - Stainless
R112-7494	Seal
R114-3745	Locknut - Bearing - Stainless
R302-5	Fitting - Grease