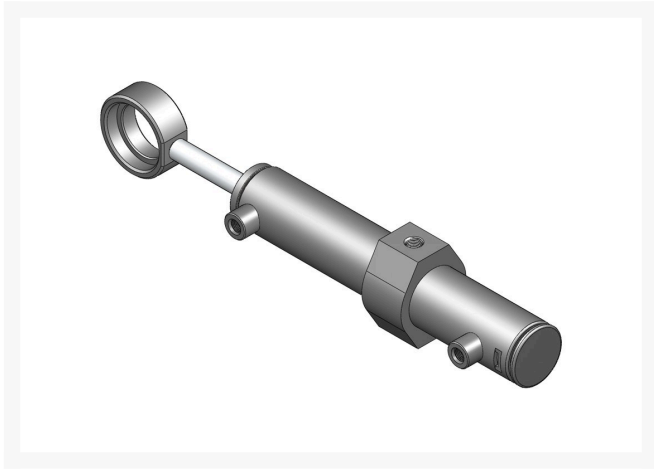




Hydraulic Cylinder

R114-0620



Replaces

R&R Products	R107-3528
Toro	107-3528

Specifications

Manufacturer	R&R Products
--------------	--------------

Fits Models

R&R Products Sand Max 518
Toro Sand Pro 5040

Replacement Parts

R106-6774	Ball Joint
-----------	------------

R&R Products Inc

3334 E Milber St Tucson, 85714
800-528-3446

<https://www.rrproducts.com/>