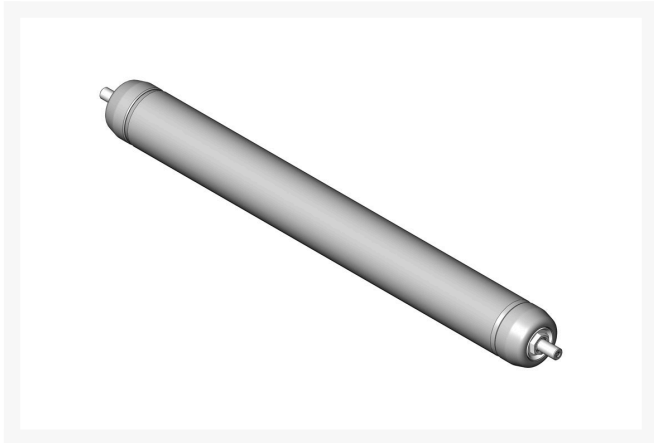




# Roller - Smooth Rear Steel - Long - 27"

## Units

R112-8915



### Details

Constructed with a through shaft, this heavy-duty roller uses greasable ball bearings.

### Replaces

Toro 112-8915

### Specifications

Manufacturer	R&R Products
Overhaul Kit No.	R114-5430
Roller Body Diameter	3 in
Weight (lbs)	20 lb

### Fits Models

Toro Reelmaster 3100-D  
Toro Reelmaster 7000-D

### Replacement Parts

R114-5430	Overhaul Kit - Roller
R112-8918	Shaft - Long - Rear
	Roller - 27" Units
R114-3717	Seal
R112-5290	Bearing - Stainless
R112-7494	Seal
R114-3745	Locknut - Bearing -
	Stainless
R302-5	Fitting - Grease

## R&R Products Inc

3334 E Milber St Tucson, 85714  
800-528-3446

<https://www.rrproducts.com/>