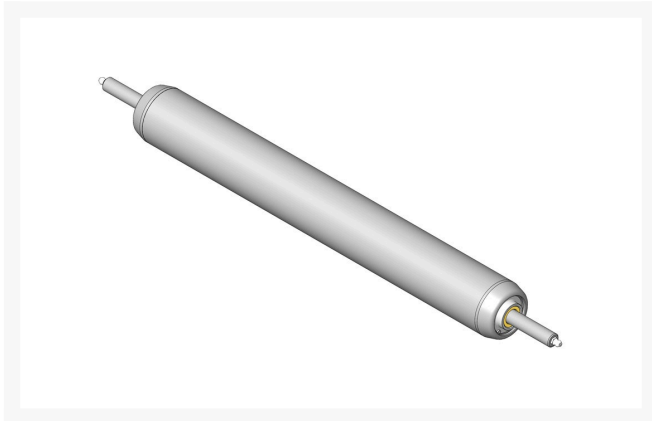




Roller - Smooth Tubular Steel

R110-4066



Details

Constructed with a through shaft, this heavy-duty roller uses greasable ball bearings. (2006 - 2007)

Replaces

| | |
|--------------|----------|
| R&R Products | 110-4066 |
| Toro | 110-4066 |

Specifications

| | |
|------------------|--------------|
| Manufacturer | R&R Products |
| Overhaul Kit No. | R106-9606 |
| Roller Body | 2.5 in |
| Diameter | |
| Weight (lbs) | 13 lb |

Fits Models

R&R Products Reel Max 544D
Toro Reelmaster 5210-D
Toro Reelmaster 5410-D
Toro Reelmaster 5410G

Replacement Parts

| | |
|-----------|-----------------------|
| R106-9606 | Overhaul Kit - Roller |
| R110-4060 | Shaft |
| R93-3007 | Seal |
| R343667 | Bearing - Ball |
| R93-1251 | Seal |
| R93-1252 | Seal - Outer |
| R253-70 | Seal |
| R93-2931 | Washer - Roller Seal |
| R32120-62 | Ring - Retaining |
| R302-5 | Fitting - Grease |

R&R Products Inc

3334 E Milber St Tucson, 85714
800-528-3446

<https://www.rrproducts.com/>