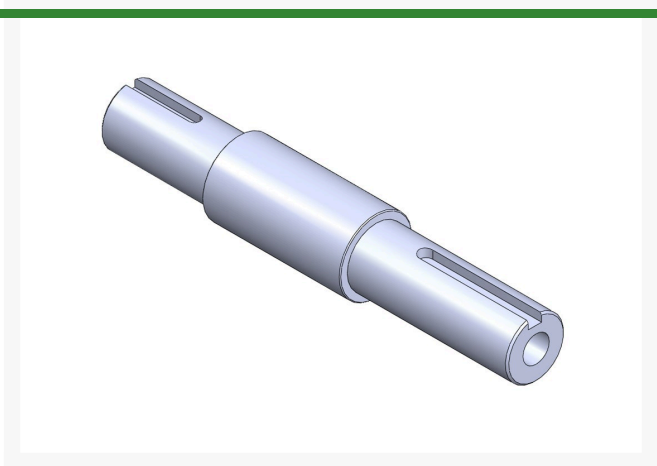
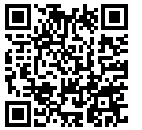




# Shaft - Spindle

R076877



### Replaces

Excel	076877
R&R Products	R712364

### Specifications

Manufacturer	R&R Products
--------------	--------------

### Fits Models

Excel Hustler
---------------

## R&R Products Inc

3334 E Milber St Tucson, 85714  
800-528-3446

<https://www.rrproducts.com/>