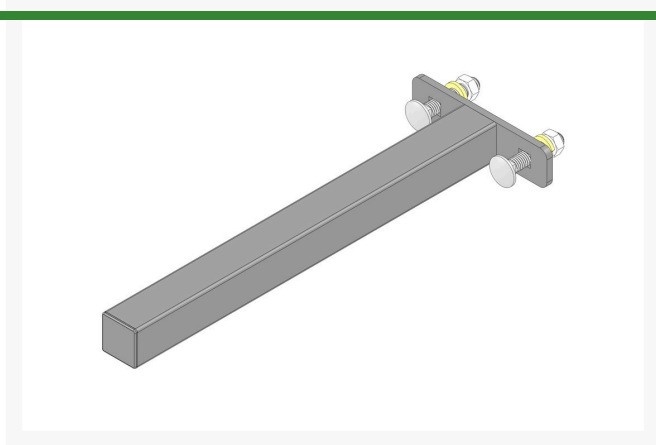
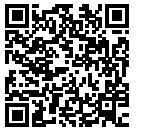




Arm - Cutting Unit Rack

R1050-1



Specifications

Manufacturer

R&R Products

Replacement Parts

R1050-5

Bolt - Carriage 1/2-13 x 2-1/2

R1051

Plug - Cutting Unit Rack

R443118

Nut - 1/2-13 Zinc

R446154

Washer - Lock 1/2

R&R Products Inc

3334 E Milber St Tucson, 85714

800-528-3446

<https://www.rrproducts.com/>