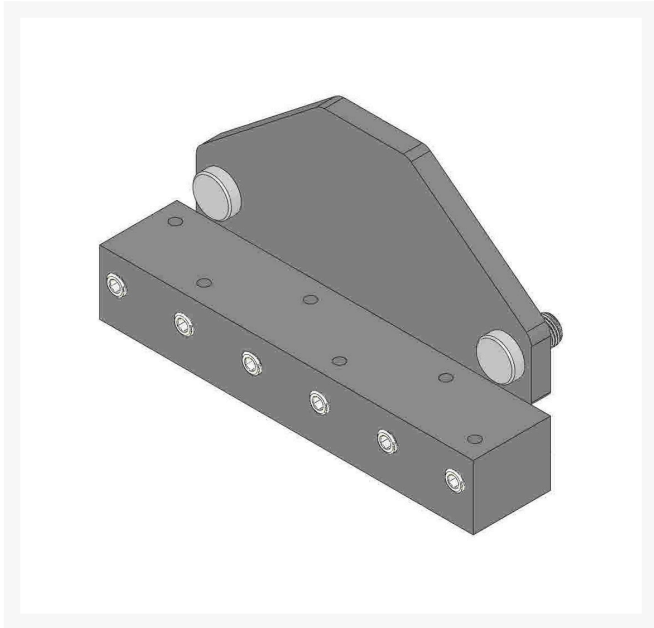




Tine Holder Assy - Fits Straight Needle Tine

RAMT1832N



Details

This tine holder uses 6 x 5mm MT straight needle tines.

Specifications

Manufacturer

R&R Products

Fits Models

John Deere Aercore 800

Replacement Parts

R34582

Screw - Set 3/8-16 x 1
Nyloc

R&R Products Inc

3334 E Milber St Tucson, 85714

800-528-3446

<https://www.rrproducts.com/>