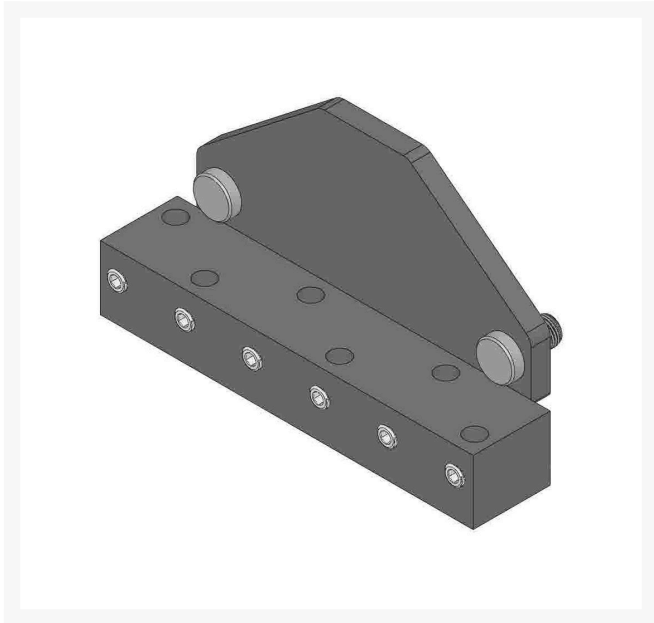




Tine Holder Assy - Fits Mini Tine

RAMT1832



Details

This tine holder uses 6 x 3/8 MT straight mini tines.

Replaces

John Deere AMT1832

Specifications

Manufacturer R&R Products

Fits Models

John Deere Aercore 800

Replacement Parts

R34582	Screw - Set 3/8-16 x 1 Nyloc
RMT2952	Bolt - Wheel 1/2-20 x 1-1/4

R&R Products Inc

3334 E Milber St Tucson, 85714
800-528-3446

<https://www.rrproducts.com/>