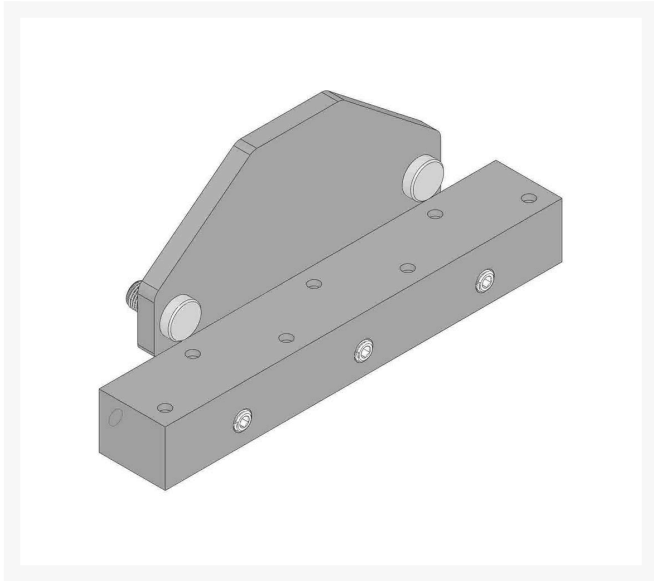




# Holder - Tine 7 x 3/8 Mt

RAMT1614



## Replaces

John Deere AMT1614

## Specifications

Manufacturer R&R Products

## Fits Models

John Deere Aercore 1000  
John Deere Aercore 1500  
John Deere Aercore 2000

## Replacement Parts

R34582 Screw - Set 3/8-16 x 1  
Nyloc  
RMT2952 Bolt - Wheel 1/2-20 x  
1-1/4

## R&R Products Inc

3334 E Milber St Tucson, 85714  
800-528-3446

<https://www.rrproducts.com/>