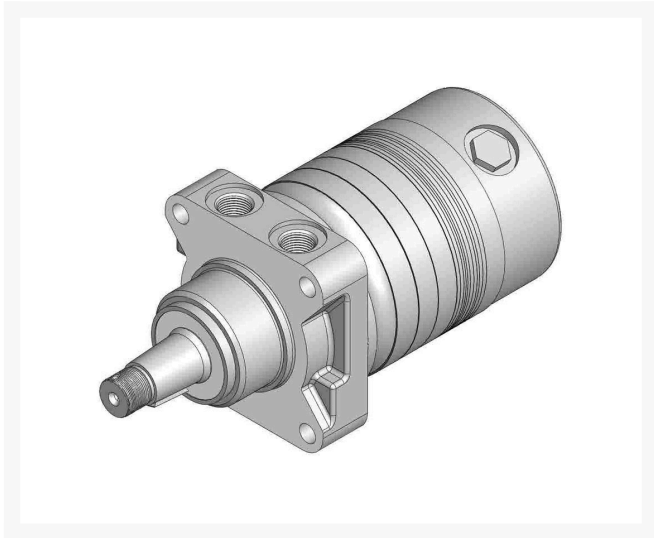




Hydraulic Motor Assy - Rear

R95-8694



Replaces

Toro 95-8694

Specifications

Manufacturer R&R Products

Fits Models

- R&R Products Reel Max 331D
- R&R Products Reel Max 331LP
- Toro Groundsmaster 3500-D
- Toro Groundsmaster 3500-G
- Toro Reelmaster 3100-D
- Toro Reelmaster 3550-D
- Toro Reelmaster 3555-D
- Toro Reelmaster 3575-D

R&R Products Inc

3334 E Milber St Tucson, 85714
800-528-3446

<https://www.rrproducts.com/>