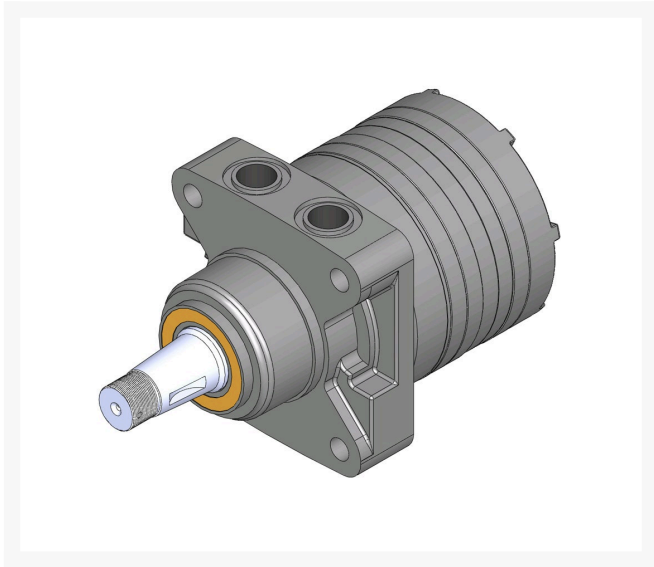




Hydraulic Motor - LH Rear

R75-9831



Replaces

R&R Products	R49-8621
Toro	49-8621, 75-9831

Specifications

Manufacturer	R&R Products
--------------	--------------

Fits Models

- R&R Products Sand Max 216
- R&R Products Sand Max 316
- Toro Sand Pro 14
- Toro Sand Pro 2020
- Toro Sand Pro 3020
- Toro Sand Pro 5000

R&R Products Inc

3334 E Milber St Tucson, 85714
800-528-3446

<https://www.rrproducts.com/>