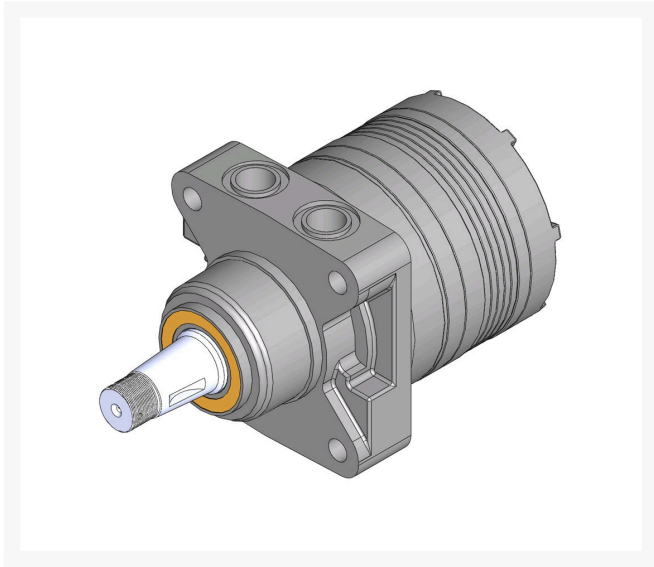




Hydraulic Motor - Front

R75-9830



Replaces

R&R Products	R49-8620
Toro	49-8620, 75-9830

Specifications

Manufacturer	R&R Products
--------------	--------------

Fits Models

- R&R Products Sand Max 316
- Toro Sand Pro 14
- Toro Sand Pro 3020
- Toro Sand Pro 5000

R&R Products Inc

3334 E Milber St Tucson, 85714
800-528-3446

<https://www.rrproducts.com/>