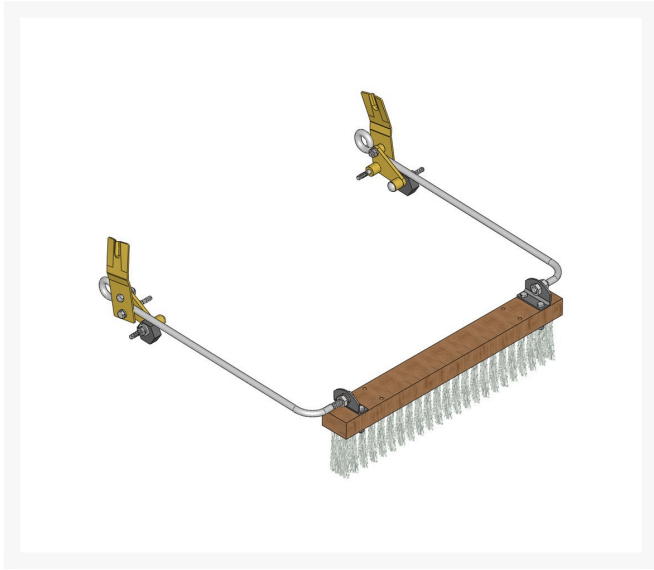




Push Brush Attachment - 22 in

R68611



Replaces

Jacobsen 68611

Specifications

Manufacturer R&R Products

Fits Models

Jacobsen Greens King 422
Jacobsen Greens King 518
Jacobsen Greens King 522
R&R Products Greens Max 4018
R&R Products Greens Max 4022

Replacement Parts

R3000441	Spacer
R3253-3	Washer - Lock 1/4
R351667	Plate - Mounting
R351668	Rod - Brush Mounting
R364441	Washer - Flat 5/16x7/8
R366737	Spacer - Wheel
R367569	Plate - Mounting
R367591	Spring Plate - Brush
R367613	Cam - Brush
R391235	Brush - 18/22 in Nylon Push
R400120	Bolt - Hex HD 1/4-20 x 2
R400190	Bolt - Hex HD 5/16-18 x 1-1/4 GR5
R400216	Bolt - Hex HD 5/16-18 x 2-3/4
R441687	Bolt - Carriage 5/16-18 x 3
R443102	Nut - 1/4-20 Yellow

R&R Products Inc

3334 E Milber St Tucson, 85714
800-528-3446

<https://www.rrproducts.com/>



Push Brush Attachment - 22 in R68611



	Zinc
R443106	Nut - 5/16-18 Y/Zinc Plated
R443118	Nut - 1/2-13 Zinc
R446136	Washer - Lock 5/16 Zinc
R446154	Washer - Lock 1/2
R453023	Washer - Flat 1/4

R&R Products Inc

3334 E Milber St Tucson, 85714
800-528-3446

<https://www.rrproducts.com/>