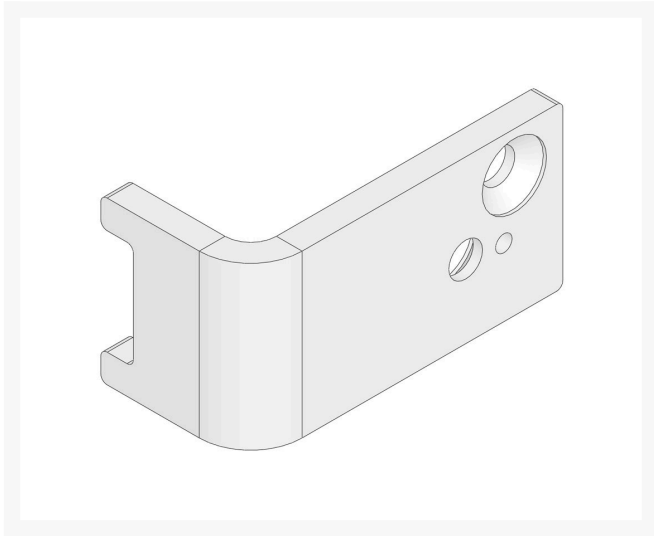




Bracket - RH - Offset Shaft Assy

R6050-01-027



Specifications

Manufacturer

R&R Products

Fits Models

R&R Products Multi-Green Units

R&R Products Inc

3334 E Milber St Tucson, 85714

800-528-3446

<https://www.rrproducts.com/>