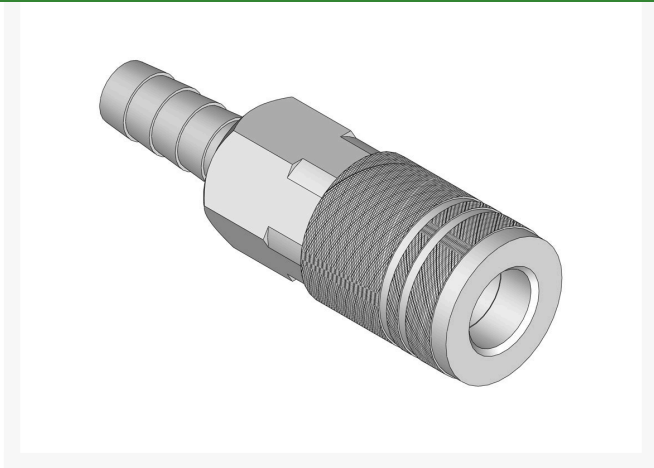




## Coupler - 3/8 Hose Barb

R5533



### Details

Plated steel couplers with hardened steel balls & stainless steel springs or brass fittings that offer corrosion resistance, ductility at high temperatures, and low magnetic permeability. Maximum working pressure 300 PSI.

### Specifications

Manufacturer

R&R Products

**R&R Products Inc**

3334 E Milber St Tucson, 85714

800-528-3446

<https://www.rrproducts.com/>