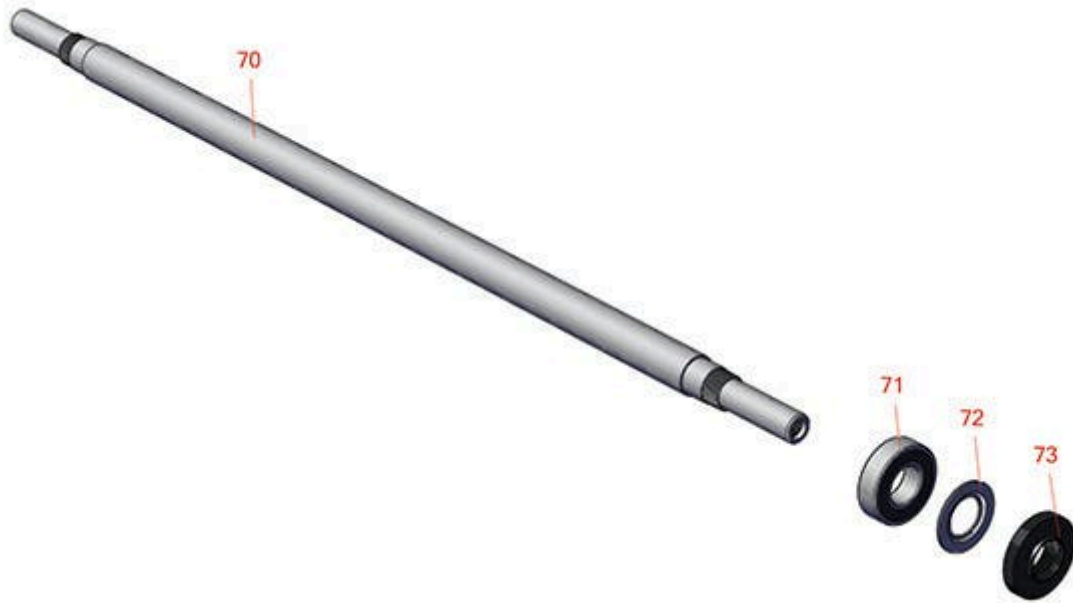




Replaces Toro Greensmaster 1021 Parts

*Cutting Unit - Models 04832, 04833, 04834
Rollers*



All original equipment manufacturers names and part numbers are used for identification purposes only, and we are in no way implying that our products are original equipment parts. Prices subject to change without notice.



Replaces Toro Greensmaster 1021 Parts

*Cutting Unit - Models 04832, 04833, 04834
Rollers*



Item No	R&R Part No.	OEM Part No.	Description	Qty Req	Price Each	Order Quantity
70	R132-4613	132-4613	Shaft - Roller	1	74.60	
71	R117-6831	117-6831	Bearing - Stainless	2	28.45	
72	R115-5604	115-5604	Washer - Flocked Seal	2	24.75	
73	R117-9080	117-9080	Locknut - Stainless with Nyloc	2	18.79	

All original equipment manufacturers names and part numbers are used for identification purposes only, and we are in no way implying that our products are original equipment parts. Prices subject to change without notice.