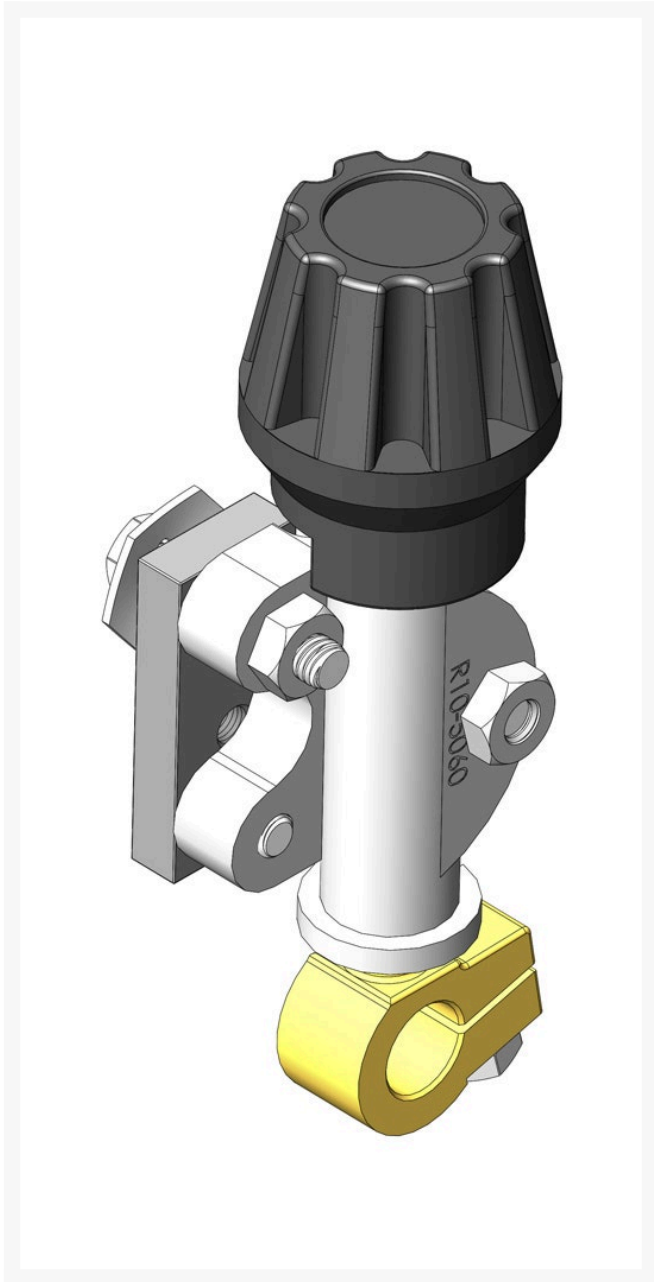




Conversion Kit - Roller

R51-3090



Details

Includes: 4 ea: R322-7 Bolt, R3290-238 Washer, R443106 Nut; 2 ea: R10-5010 Screw, R10-5060 Bracket, R32108-21 Screw, R400184 Screw, R51-3100 Spacer & R65-8600 Knob

Replaces

Toro 51-3090

Specifications

Manufacturer R&R Products

Fits Models

Toro Greensmaster Series 4

Replacement Parts

R10-5010	Screw - Roller Adjustment
R10-5060	Bracket - Roller Adj
R32108-21	Screw - 5/16-18x7/8 Machine
R322-2	Bolt - Hex HD 5/16-18 x 5/8
R322-7	Bolt - Hex HD 5/16-18 x 1-1/2
R3290-238	Washer - 5/16 Pyramidal
R400184	Screw - 5/16-18 x 3/4 Hex
R443106	Nut - 5/16-18 Y/Zinc Plated
R453009	Washer - Flat 5/16 SAE
R51-3100	Spacer

R&R Products Inc

3334 E Milber St Tucson, 85714
800-528-3446

<https://www.rrproducts.com/>



Conversion Kit - Roller

R51-3090



R65-8600

Knob - Height
Adjusting

R&R Products Inc

3334 E Milber St Tucson, 85714

800-528-3446

<https://www.rrproducts.com/>