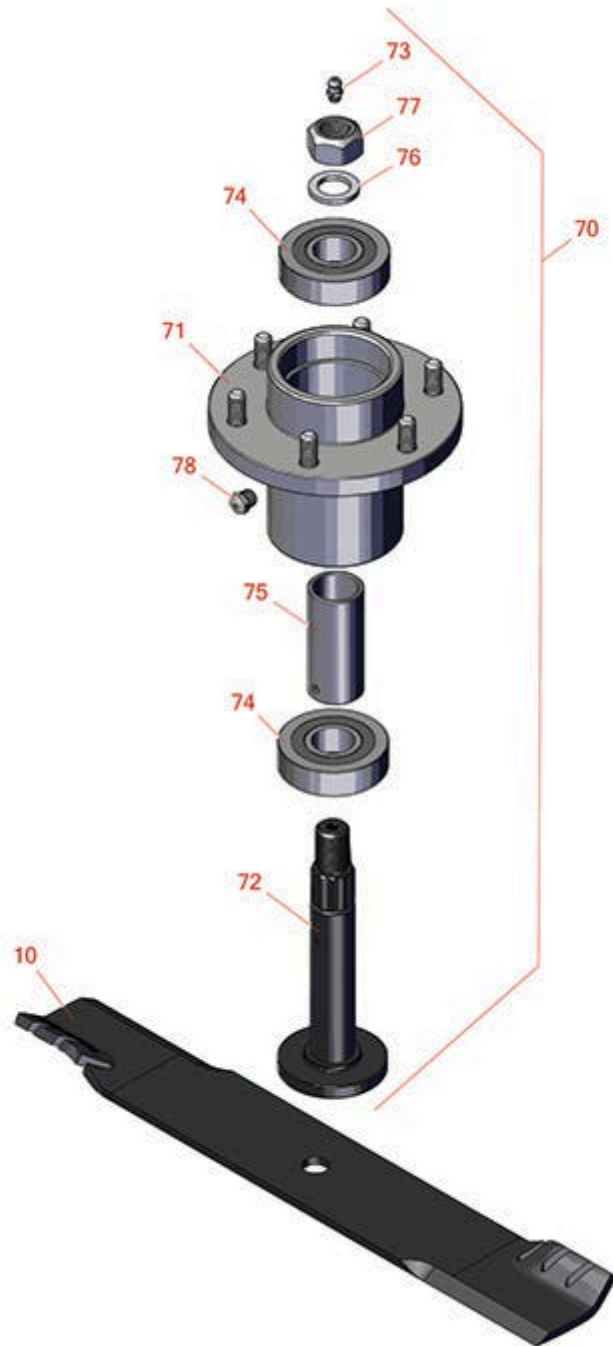




# Replaces John Deere WHP36A Commercial Walk-Behind Mower Parts

Rotary Mower  
36in Deck Parts



All original equipment manufacturers names and part numbers are used for identification purposes only, and we are in no way implying that our products are original equipment parts. Prices subject to change without notice.



# Replaces John Deere WHP36A Commercial Walk-Behind Mower Parts



Rotary Mower  
36in Deck Parts

Item No	R&R Part No.	OEM Part No.	Description	Qty Req	Price Each	Order Quantity
<b>Rotary Blades</b>						
10	<b>RTC29188</b>	TCU29188	Mower Blade - 18 in Mulcher	2	<b>17.75</b>	
<b>Other Parts Available</b>						
70	<b>RTCA20480</b>	TCA20480	Spindle Assy	2	<b>210.50</b>	
71	<b>RTCA20479</b>	TCA20479	Spindle Housing	2	<b>131.95</b>	
72	<b>RTC29122</b>	TCU29122	Shaft Spindle	2	<b>77.75</b>	
73	<b>R302-5</b>	JD7797, JD7842, JD7844	Fitting - Grease	2	<b>0.27</b>	
74	<b>RJD9467</b>	JD9467	Bearing	4	<b>20.80</b>	
75	<b>RTC29463</b>	TCU29463	Spacer	2	<b>24.15</b>	
76	<b>RM82056</b>	M82056	Washer - 19.050 x 28.575 x 3.038 mm	2	<b>6.55</b>	
77	<b>RD24008</b>	D24008	Nut - 3/4-16 Top Lock All Metal	2	<b>5.80</b>	
78	<b>R170714</b>	E14814	Fitting - Pressure Relief	2	<b>2.25</b>	

All original equipment manufacturers names and part numbers are used for identification purposes only, and we are in no way implying that our products are original equipment parts. Prices subject to change without notice.