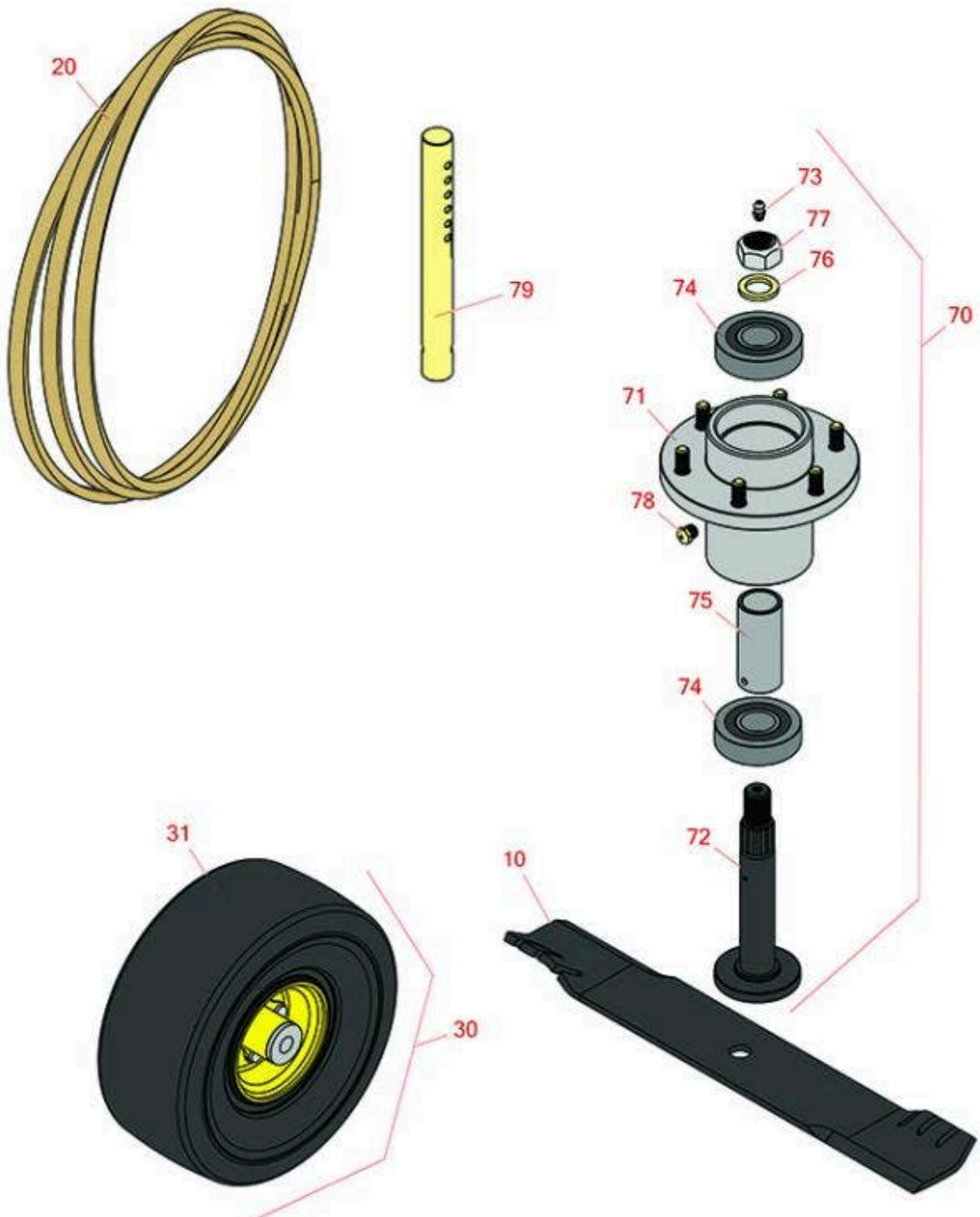




Replaces John Deere WH36A Commercial Walk-Behind Mower Parts

Rotary Mower
36in Deck Parts



All original equipment manufacturers names and part numbers are used for identification purposes only, and we are in no way implying that our products are original equipment parts. Prices subject to change without notice.



Replaces John Deere WH36A Commercial Walk-Behind Mower Parts

Rotary Mower
36in Deck Parts



Item No	R&R Part No.	OEM Part No.	Description	Qty Req	Price Each	Order Quantity
Rotary Blades						
10	RTC29188	TCU29188	Mower Blade - 18 in Mulcher	2	17.75	
Belts						
20	RTCA20591	TCA20591	Belt - V	1	54.95	
Tires						
30	RTCA22217	TCA22217	Tire & Wheel - 9x3.50-4 Smooth Poly	2	66.35	
31	RTC32225	TCA20508, TCU32225	Tire - 9x3:50-4 Poly Smooth	2	38.10	
Other Parts Available						
70	RTCA20480	TCA20480	Spindle Assy	2	210.50	
71	RTCA20479	TCA20479	Spindle Housing	2	131.95	
72	RTC29122	TCU29122	Shaft Spindle	2	77.75	
73	R302-5	JD7797, JD7842, JD7844	Fitting - Grease	2	0.27	
74	RJD9467	JD9467	Bearing	4	20.80	
75	RTC29463	TCU29463	Spacer	2	24.15	
76	RM82056	M82056	Washer - 19.050 x 28.575 x 3.038 mm	2	6.55	
77	RD24008	D24008	Nut - 3/4-16 Top Lock All Metal	2	5.80	
78	R170714	E14814	Fitting - Pressure Relief	2	2.25	
79	RTC29131	TCU29131	Rod - Front	2	27.25	

All original equipment manufacturers names and part numbers are used for identification purposes only, and we are in no way implying that our products are original equipment parts. Prices subject to change without notice.