

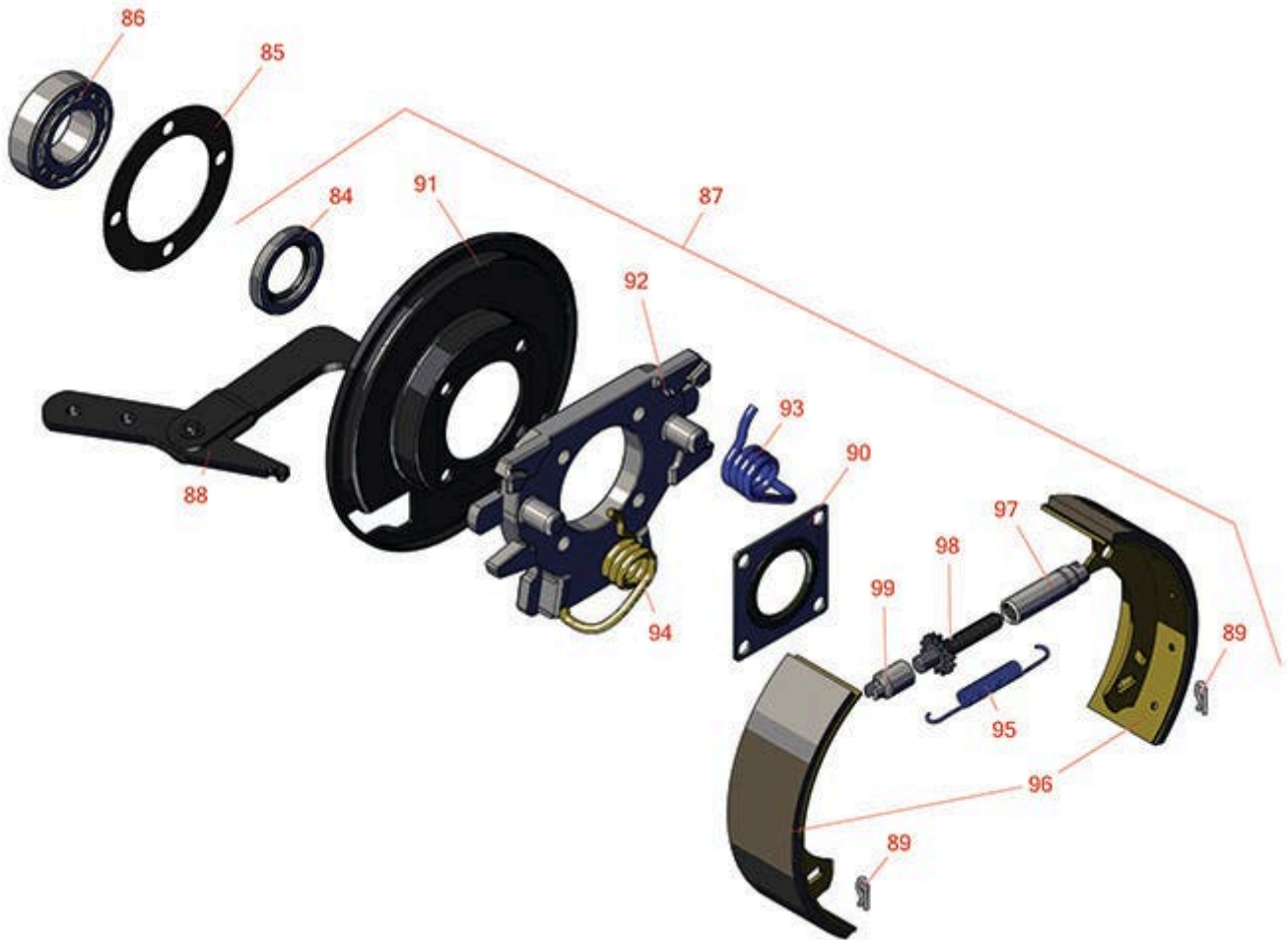


# Replaces Toro Groundsmaster 220

## Parts

Rotary Mower - Model 30620

Brakes



All original equipment manufacturers names and part numbers are used for identification purposes only, and we are in no way implying that our products are original equipment parts. Prices subject to change without notice.



# Replaces Toro Groundsmaster 220

## Parts

Rotary Mower - Model 30620  
Brakes



Item No	R&R Part No.	OEM Part No.	Description	Qty Req	Price Each	Order Quantity
84	<b>R92-1774</b>	21-8330, 92-1774	Seal - Oil Front Axle	1	<b>9.05</b>	
85	<b>R21-8320</b>	21-8320	Gasket - Front Axle	1	<b>2.35</b>	
86	<b>R21-8180</b>	21-8180, 32-8800, 40453	Bearing - with Cup Front Axle	1	<b>34.80</b>	
87	<b>R150315</b>		Brake Assy	2	<b>215.50</b>	
88	<b>R24-9180</b>	21-9400, 24-9180	Lever - Parking Brake	2	<b>70.25</b>	
89	<b>R21-9460</b>	21-9460, 40474	Retainer	4	<b>2.85</b>	
90	<b>R28-0670</b>	28-0670, 40450	Seal - Oil Axle	2	<b>7.95</b>	
91	<b>R21-9450</b>	21-9450	Shield - Dust	2	<b>21.60</b>	
92	<b>R43-6810</b>	40-2190, 43-6810	Spider - Torque	2	<b>67.85</b>	
93	<b>R21-9420</b>	21-9420, 40471	Spring - Return LH	2	<b>6.70</b>	
94	<b>R21-9430</b>	21-9430, 40472	Spring - Return RH	2	<b>6.70</b>	
95	<b>R21-9440</b>	21-9440, 40473	Spring	2	<b>5.40</b>	
96	<b>R43-2690</b>	21-9470, 43-2690	Shoe - Brake	4	<b>26.50</b>	
96	<b>R84-8600</b>	84-8590, 84-8600	Shoe - Brake Set/4	1	<b>88.50</b>	
97	<b>R21-9380</b>	21-9380, 40457	Nut - Pivot	2	<b>15.90</b>	

All original equipment manufacturers names and part numbers are used for identification purposes only, and we are in no way implying that our products are original equipment parts. Prices subject to change without notice.



# Replaces Toro Groundsmaster 220

## Parts

*Rotary Mower - Model 30620*

*Brakes*



Item No	R&R Part No.	OEM Part No.	Description	Qty Req	Price Each	Order Quantity
98	<b>R21-9370</b>	21-9370, 40456	Screw - Adjustment	2	<b>10.70</b>	
99	<b>R21-9390</b>	21-9390, 40458	Socket	2	<b>7.65</b>	

All original equipment manufacturers names and part numbers are used for identification purposes only, and we are in no way implying that our products are original equipment parts. Prices subject to change without notice.