

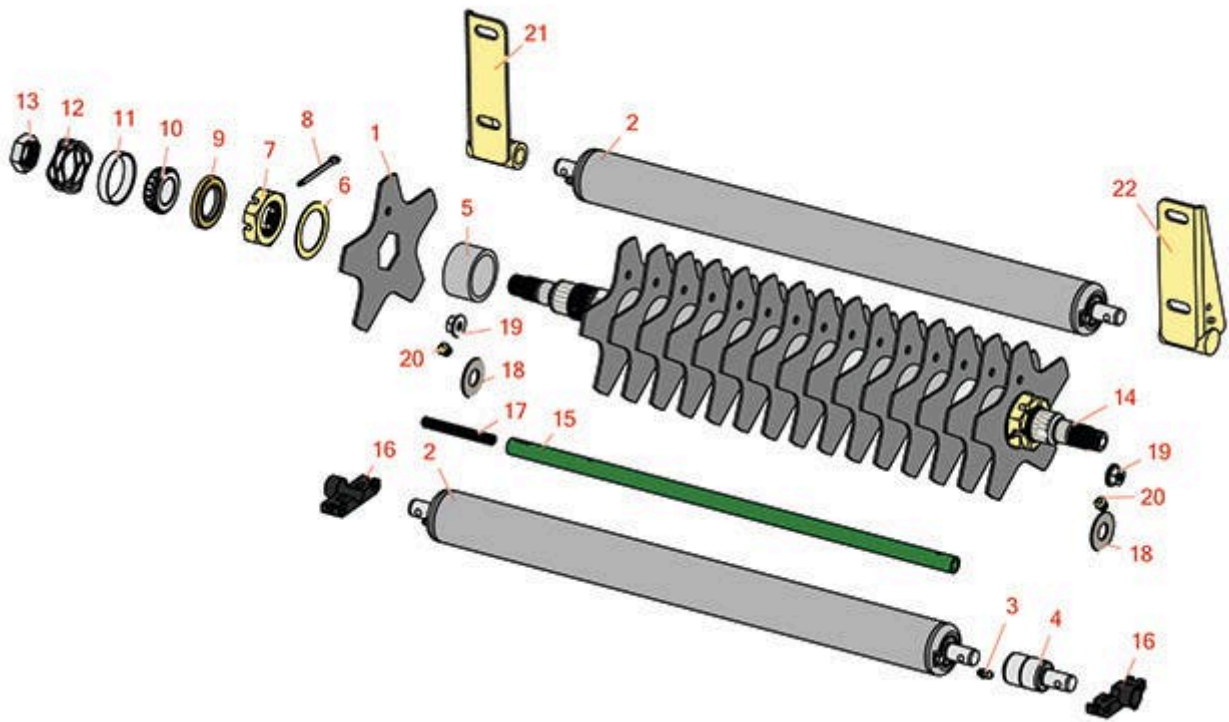


# Replaces John Deere 8900A Reel Mower

## Parts

Verti-Cut Unit

Verti-Cut Reel & Frame



All original equipment manufacturers names and part numbers are used for identification purposes only, and we are in no way implying that our products are original equipment parts. Prices subject to change without notice.



# Replaces John Deere 8900A Reel Mower

## Parts

Verti-Cut Unit

Verti-Cut Reel & Frame



Item No	R&R Part No.	OEM Part No.	Description	Qty Req	Price Each	Order Quantity
<b>Verti-Cut Blades</b>						
1	<b>RMT6987</b>	MT6987	Verti-Cut Blade	16	<b>13.95</b>	
<b>Other Parts Available</b>						
2	<b>RAET11263</b>	AET11263, AMT2967	Roller - Smooth Tubular Steel	1	<b>222.10</b>	
<i>Tech Note: Constructed with a through shaft, this heavy duty roller uses greasable tapered bearings for extended life.:</i>						
2	<b>RAET10111</b>	AET10111, AMT2876	Roller - Smooth Tubular Steel	2	<b>138.30</b>	
<i>Tech Note: This tubular steel roller uses greasable "water-pump" style bearings.:</i>						
3	<b>R471219</b>	471219, JD7759, JD7798	Zerk - Grease	2	<b>0.41</b>	
4	<b>RAA35741</b>	AA35741, AET10129, TCA22836	Bearing	2	<b>18.80</b>	
<i>Tech Note: 1/4" Side Hole:</i>						
5	<b>RET17648</b>	ET17648	Spacer	15	<b>24.15</b>	
6	<b>R24H1549</b>	24H1549	Spacer	14	<b>0.83</b>	
7	<b>RET17318</b>	ET17318	Nut - Slotted Jam	2	<b>38.45</b>	
8	<b>R11M7032</b>		Pin - Cotter	2	<b>0.45</b>	
9	<b>RTC25266</b>	TCU25266	Seal	2	<b>6.50</b>	
10	<b>R254-94</b>	JD8933, TCU37582	Tapered Bearing Cone	2	<b>7.15</b>	
11	<b>R254-72</b>	JD8253	Cup - Bearing	2	<b>3.85</b>	
12	<b>R170610</b>	TCU26530	Spring - Compression	1	<b>9.45</b>	

All original equipment manufacturers names and part numbers are used for identification purposes only, and we are in no way implying that our products are original equipment parts. Prices subject to change without notice.



# Replaces John Deere 8900A Reel Mower

## Parts

Verti-Cut Unit

Verti-Cut Reel & Frame



Item No	R&R Part No.	OEM Part No.	Description	Qty Req	Price Each	Order Quantity
13	<b>RTC26215</b>	TCU26215	Nut - Reel	2	<b>5.60</b>	
14	<b>RMT770</b>	MT770	Shaft - Verti-Cut	1	<b>307.90</b>	
15	<b>RTC26729</b>	TCU26729	Tube	1	<b>46.90</b>	
16	<b>RTC28987</b>	TCU28987	Half Clamp - Roller Bkt	2	<b>29.10</b>	
17	<b>RTC25398</b>	TCU25398	Compression Spring	1	<b>5.85</b>	
18	<b>RET16424</b>	ET16424	Washer	4	<b>3.75</b>	
19	<b>RH135891</b>	H135891	Locknut - 10mm x 1.5 Flanged 10.9	2	<b>3.85</b>	
<i>Tech Note: High Strength:</i>						
20	<b>R170714</b>	E14814	Fitting - Pressure Relief	2	<b>2.25</b>	
21	<b>RAMT5050</b>	AMT5050	Bracket - Roller - V-Cut Unit	1	<b>57.95</b>	
22	<b>RAMT5051</b>	AMT5051	Bracket - Roller - V-Cut Unit	1	<b>57.95</b>	

All original equipment manufacturers names and part numbers are used for identification purposes only, and we are in no way implying that our products are original equipment parts. Prices subject to change without notice.