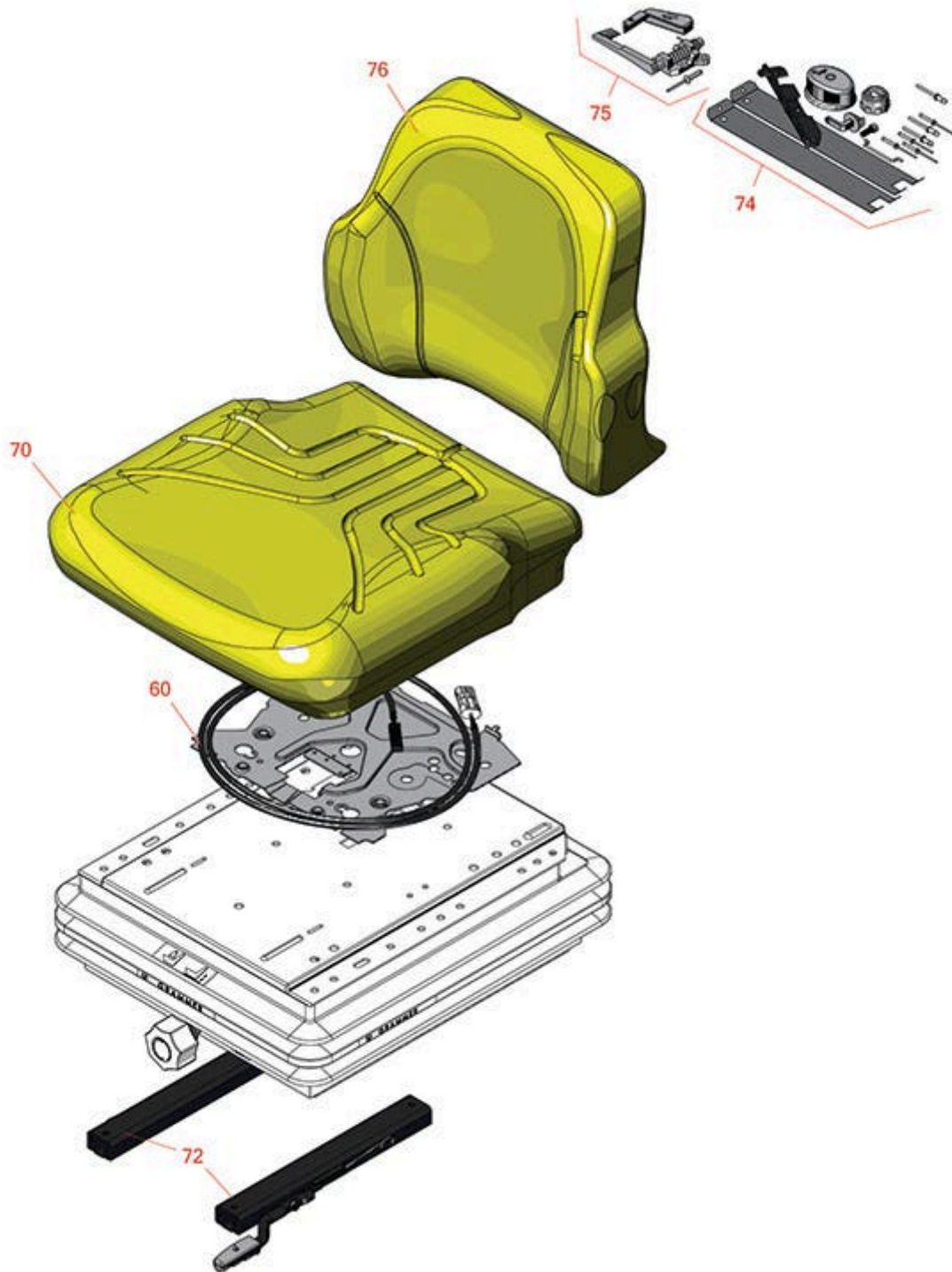




# Replaces John Deere 7500 Reel Mower

## Parts

Traction Unit  
Seat



All original equipment manufacturers names and part numbers are used for identification purposes only, and we are in no way implying that our products are original equipment parts. Prices subject to change without notice.



# Replaces John Deere 7500 Reel Mower

## Parts

*Traction Unit*

*Seat*



Item No	R&R Part No.	OEM Part No.	Description	Qty Req	Price Each	Order Quantity
---------	--------------	--------------	-------------	---------	------------	----------------

### *Electrical, Gauges & Controls*

60	<b>RTCA18463</b>	TCA18463	Seat Switch	1	<b>79.70</b>	
----	------------------	----------	-------------	---	--------------	--

### *Other Parts Available*

70	<b>RTCA18456</b>	TCA18456	Seat Cushion - Bottom Yellow	1	<b>164.95</b>	
72	<b>RTCA18455</b>	TCA18455	Seat Slide Track Kit	1	<b>148.35</b>	
74	<b>RAL151392</b>	AL151392	Lumbar Support	1	<b>82.15</b>	
75	<b>RTCA18454</b>	TCA18454	Lock - Back Rest	1	<b>38.15</b>	
76	<b>RTCA18457</b>	TCA18457	Cushion Kit - Back Yellow	1	<b>225.00</b>	

All original equipment manufacturers names and part numbers are used for identification purposes only, and we are in no way implying that our products are original equipment parts. Prices subject to change without notice.