

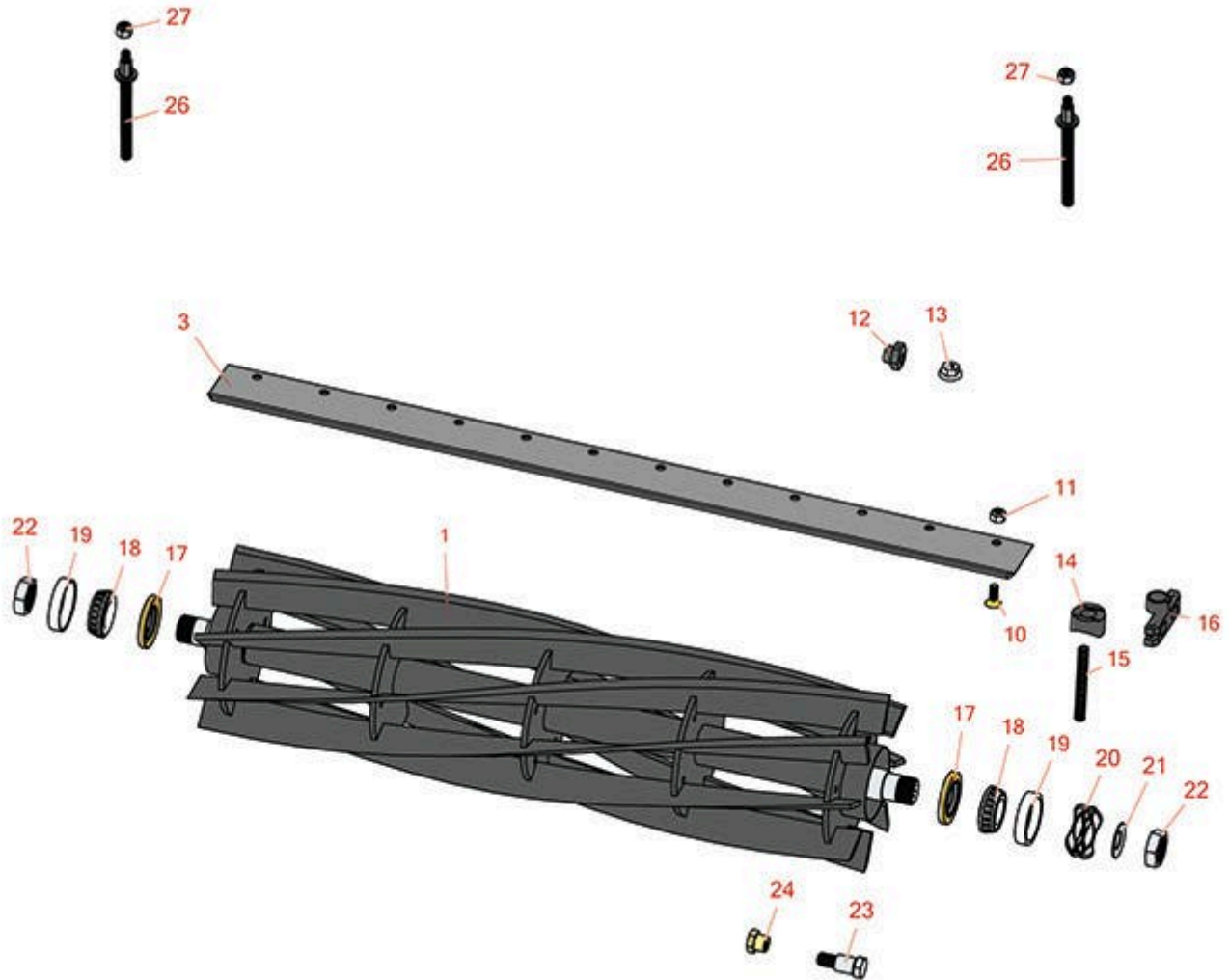


Replaces John Deere 7200A Reel Mower

Parts

30in Cutting Unit

Reel & Bedknife



All original equipment manufacturers names and part numbers are used for identification purposes only, and we are in no way implying that our products are original equipment parts. Prices subject to change without notice.



Replaces John Deere 7200A Reel Mower

Parts

30in Cutting Unit
Reel & Bedknife



Item No	R&R Part No.	OEM Part No.	Description	Qty Req	Price Each	Order Quantity
---------	--------------	--------------	-------------	---------	------------	----------------

R&R Reels, Lifetime Guranteed

1	RTCA19357	TCA19357	Reel - 5 Blade 30 in	1	427.75	
1	RTCA19358	TCA19358	Reel - 8 Blade 30 in	1	486.70	

R&R Bedknives, Lifetime Guranteed

3	RMT1973	MT1973	Bedknife - 30 in 12 Hole	1	56.95	
---	----------------	--------	--------------------------	---	--------------	--

Other Parts Available

10	R19M7573	19M7573	Screw - Bedknife M8-1.25 x 20	12	0.75	
11	RH137328	H137328	Locknut	12	1.30	
12	RTCUC28635	TCU24555, TCU28635	Eccentric	2	15.55	
13	RH135891	H135891	Locknut - 10mm x 1.5 Flanged 10.9	6	3.85	
<i>Tech Note: High Strength:</i>						
14	RTCUC25394	TCU25394, TCU27453	Base	2	49.60	
15	RTCUC25398	TCU25398	Compression Spring	1	5.85	
16	RTCUC28987	TCU28987	Half Clamp - Roller Bkt	2	29.10	
17	RTCUC25266	TCU25266	Seal	2	6.50	
18	R254-94	JD8933, TCU37582	Tapered Bearing Cone	2	7.15	
19	R254-72	JD8253	Cup - Bearing	2	3.85	
20	R170610	TCU26530	Spring - Compression	1	9.45	
21	RET16678	ET16678	Washer - Spring	1	3.25	
22	RTCUC26215	TCU26215	Nut - Reel	2	5.60	

All original equipment manufacturers names and part numbers are used for identification purposes only, and we are in no way implying that our products are original equipment parts. Prices subject to change without notice.



Replaces John Deere 7200A Reel Mower Parts

*30in Cutting Unit
Reel & Bedknife*



Item No	R&R Part No.	OEM Part No.	Description	Qty Req	Price Each	Order Quantity
23	RMT6338	MT6338	Bolt - Shoulder	2	11.55	
24	RET16572	ET16572	Nut - Hex	2	6.90	
26	RTC26123	TCU26123	Adjuster	2	54.45	
27	RM148268	M148268	Lock Nut	2	1.30	

All original equipment manufacturers names and part numbers are used for identification purposes only, and we are in no way implying that our products are original equipment parts. Prices subject to change without notice.