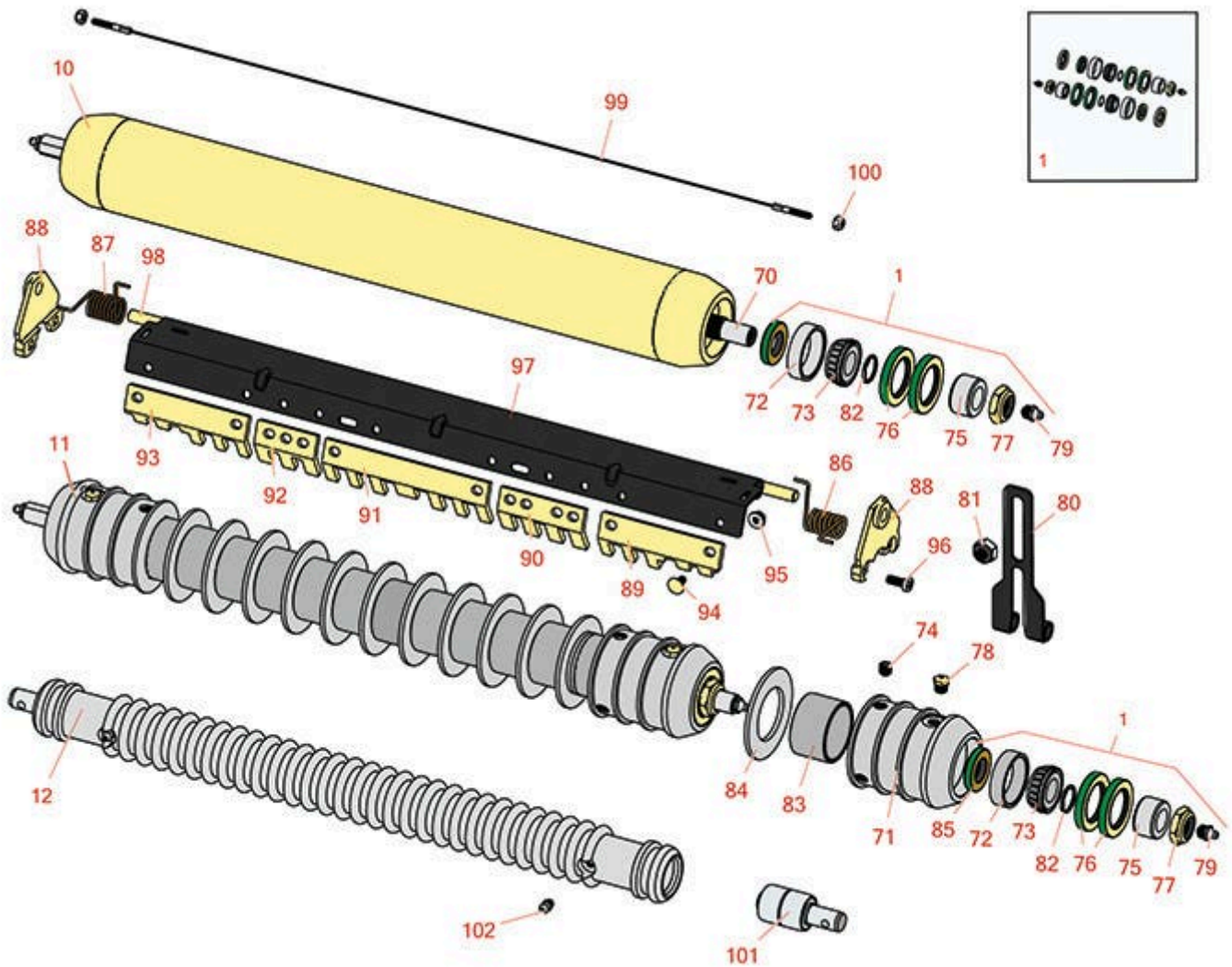




Replaces John Deere 6500A Reel Mower

Parts

Cutting Unit
Rollers



All original equipment manufacturers names and part numbers are used for identification purposes only, and we are in no way implying that our products are original equipment parts. Prices subject to change without notice.



Replaces John Deere 6500A Reel Mower

Parts

Cutting Unit
Rollers



Item No	R&R Part No.	OEM Part No.	Description	Qty Req	Price Each	Order Quantity
---------	--------------	--------------	-------------	---------	------------	----------------

Overhaul Kits

1	RAET10632	AET10632	Overhaul Kit - Roller	1	76.55	
---	------------------	----------	-----------------------	---	--------------	--

Tech Note: Includes 4 ea: RET15755 Seal; 2 ea: R237-54 O-Ring, R253-122 Seal, R254-78 Bearing, R254-79 Cup, R3296-15 Locknut, R471219 Grease Zerk, RET15726 Sleeve, RET15756 Seal:

Rollers

10	RAET11263	AET11263, AMT2967	Roller - Smooth Tubular Steel	1	222.10	
----	------------------	----------------------	-------------------------------	---	---------------	--

Tech Note: Constructed with a through shaft, this heavy duty roller uses greasable tapered bearings for extended life.:

11	R500512	AMT2966, BM25317	Roller - Grooved Repairable Steel	1	299.90	
----	----------------	---------------------	-----------------------------------	---	---------------	--

Tech Note: Constructed with a through shaft and greasable ball bearings. This roller can be repaired by unscrewing the ends and replacing the series of washers and spacers.:

12	RBTC10267	BTC10267	Roller - Grooved Steel	1	251.85	
----	------------------	----------	------------------------	---	---------------	--

Other Parts Available

70	RET17515	ET17515	Shaft - Roller	1	49.45	
----	-----------------	---------	----------------	---	--------------	--

71	R500511		Roller End - Threaded 3	0	84.45	
----	----------------	--	-------------------------	---	--------------	--

72	R254-78	JD8188	Tapered Bearing Cone	2	6.05	
----	----------------	--------	----------------------	---	-------------	--

73	R254-79	JD8226	Cup - Bearing	2	3.20	
----	----------------	--------	---------------	---	-------------	--

Tech Note: Use R254-79M installation mandrel to properly install race.:

74	R150691		Screw - Set Nyloc 3/8-16 x 3/8	2	1.10	
----	----------------	--	--------------------------------	---	-------------	--

75	RET15726	ET15726, RET15726	Sleeve - Wear Hardened	2	13.95	
----	-----------------	----------------------	------------------------	---	--------------	--

76	RET15755	ET15755	Seal - Oil	4	5.15	
----	-----------------	---------	------------	---	-------------	--

77	R3296-15	N101345	Locknut - 3/4-16 Nylon Jam	2	2.15	
----	-----------------	---------	----------------------------	---	-------------	--

All original equipment manufacturers names and part numbers are used for identification purposes only, and we are in no way implying that our products are original equipment parts. Prices subject to change without notice.



Replaces John Deere 6500A Reel Mower

Parts

Cutting Unit
Rollers



Item No	R&R Part No.	OEM Part No.	Description	Qty Req	Price Each	Order Quantity
78	R170714	E14814	Fitting - Pressure Relief	2	2.25	
79	R471219	471219, JD7759, JD7798	Zerk - Grease	2	0.41	
80	RTC26998	TCU26998	Panel	2	22.51	
81	R14M7517	14M7517	Locknut - 10mm x 1.5 ESNA	4	0.32	
82	R237-54	U46731, U6731	O-Ring - Small	2	0.50	
83	R150676		Spacer - 2-3/4 Dia x 1-1/4 L	10	3.75	
84	R150673		Washer - 3 Repairable Roller	11	1.45	
85	RET15756	ET15756, MT1739, MT739	Seal	2	5.45	
86	RET17630	ET17630	Spring - Torsion RH	1	7.05	
87	RET17629	ET17629	Spring - Torsion LH	1	7.05	
88	RMT2407	MT2407	Bracket - Roller Scraper	2	15.85	
89	RMT5159	MT5159	Scraper - Fits J.D. LH End	1	8.05	
90	RMT2341	MT2341	Section - Grooved Scraper 4 Tooth	1	5.45	
91	RMT2340	MT2340	Scraper - Fits J.D. Center	1	9.65	
92	RMT2342	MT2342	Section - Grooved Scraper 3 Tooth	1	5.80	
93	RMT5158	MT5158	Scraper - Fits J.D. RH End	1	8.05	
94	R03M7251	03M7251	Bolt - Gr. Roller Scraper	10	0.78	
95	R14M7303	14M7303	Nut - 6mm x 1.0 Flanged	10	0.39	

All original equipment manufacturers names and part numbers are used for identification purposes only, and we are in no way implying that our products are original equipment parts. Prices subject to change without notice.



Replaces John Deere 6500A Reel Mower

Parts

Cutting Unit
Rollers



Item No	R&R Part No.	OEM Part No.	Description	Qty Req	Price Each	Order Quantity
96	R21M7246	21M7246	Screw	4	0.29	
97	R500571	MT2369	Bar - Scraper	1	32.40	
98	RET17757	ET11757, ET17757	Pin - Scraper	1	9.75	
99	RTCA19566	TCA19566	Cable - Smooth Roller Scraper	1	13.45	
100	RU45916	14M7298, U45916	Locknut - 10-24 ESNA	2	0.32	
101	RAA35741	AA35741, AET10129, TCA22836	Bearing	2	18.80	
<i>Tech Note: 1/4" Side Hole:</i>						
102	R302-5	JD7797, JD7842, JD7844	Fitting - Grease	2	0.27	

All original equipment manufacturers names and part numbers are used for identification purposes only, and we are in no way implying that our products are original equipment parts. Prices subject to change without notice.