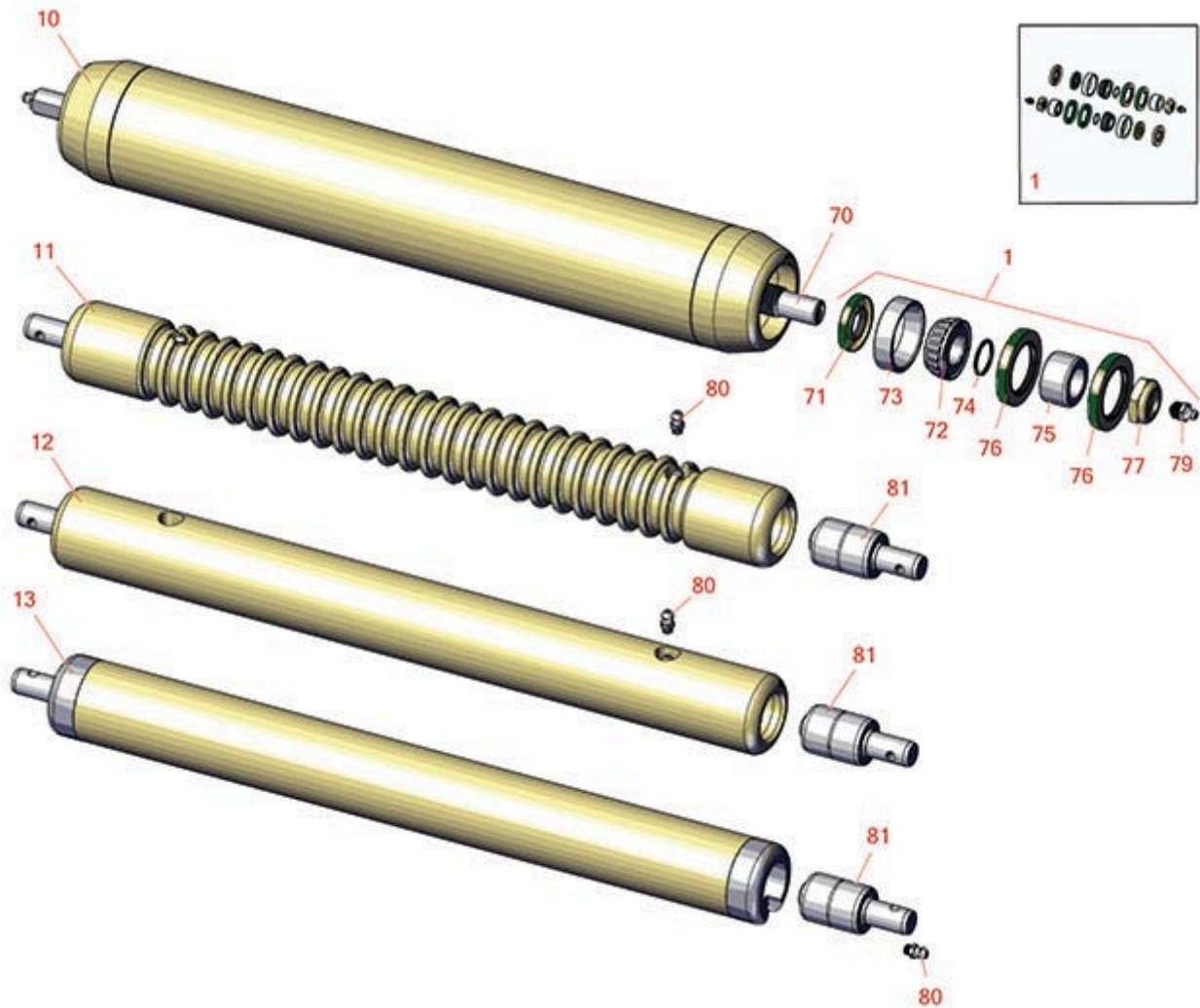




# Replaces John Deere 6080A Reel Mower

## Parts

Cutting Unit  
Rollers



All original equipment manufacturers names and part numbers are used for identification purposes only, and we are in no way implying that our products are original equipment parts. Prices subject to change without notice.



# Replaces John Deere 6080A Reel Mower

## Parts

Cutting Unit  
Rollers



Item No	R&R Part No.	OEM Part No.	Description	Qty Req	Price Each	Order Quantity
---------	--------------	--------------	-------------	---------	------------	----------------

### Overhaul Kits

1	<b>RAET10632</b>	AET10632	Overhaul Kit - Roller	1	<b>76.55</b>	
---	------------------	----------	-----------------------	---	--------------	--

*Tech Note: Includes 4 ea: RET15755 Seal; 2 ea: R237-54 O-Ring, R253-122 Seal, R254-78 Bearing, R254-79 Cup, R3296-15 Locknut, R471219 Grease Zerk, RET15726 Sleeve, RET15756 Seal:*

### Rollers

10	<b>RTCA19509</b>	TCA19509	Roller - Smooth Tubular Steel	1	<b>233.05</b>	
----	------------------	----------	-------------------------------	---	---------------	--

*Tech Note: Constructed with a through shaft, this heavy duty roller uses greasable tapered bearings for extended life.:*

11	<b>RAMT2784</b>	AMT2979	Roller - Grooved Machined Solid Steel	1	<b>225.35</b>	
----	-----------------	---------	---------------------------------------	---	---------------	--

*Tech Note: Machined from solid steel, this heavy weight roller uses greasable "water-pump" style bearings.:*

12	<b>RAMT2786</b>	AMT2786, AMT2981	Roller - Smooth Solid Steel	1	<b>199.30</b>	
----	-----------------	---------------------	-----------------------------	---	---------------	--

*Tech Note: Machined from solid steel, this heavy weight roller uses greasable "water-pump" style bearings.:*

13	<b>RTCA19656</b>	BM24203, TCA19656	Roller - Smooth Tubular Steel	1	<b>139.65</b>	
----	------------------	----------------------	-------------------------------	---	---------------	--

### Other Parts Available

70	<b>RTCUC26890</b>	TCU26890	Shaft - Roler	1	<b>49.20</b>	
----	-------------------	----------	---------------	---	--------------	--

71	<b>RET15756</b>	ET15756, MT1739, MT739	Seal	2	<b>5.45</b>	
----	-----------------	------------------------------	------	---	-------------	--

72	<b>R254-78</b>	JD8188	Tapered Bearing Cone	2	<b>6.05</b>	
----	----------------	--------	----------------------	---	-------------	--

73	<b>R254-79</b>	JD8226	Cup - Bearing	2	<b>3.20</b>	
----	----------------	--------	---------------	---	-------------	--

*Tech Note: Use R254-79M installation mandrel to properly install race.:*

All original equipment manufacturers names and part numbers are used for identification purposes only, and we are in no way implying that our products are original equipment parts. Prices subject to change without notice.



# Replaces John Deere 6080A Reel Mower

## Parts

Cutting Unit  
Rollers



Item No	R&R Part No.	OEM Part No.	Description	Qty Req	Price Each	Order Quantity
74	<b>R237-54</b>	U46731, U6731	O-Ring - Small	2	<b>0.50</b>	
75	<b>RET15726</b>	ET15726, RET15726	Sleeve - Wear Hardened	2	<b>13.95</b>	
76	<b>RET15755</b>	ET15755	Seal - Oil	4	<b>5.15</b>	
77	<b>R3296-15</b>	N101345	Locknut - 3/4-16 Nylon Jam	2	<b>2.15</b>	
79	<b>R471219</b>	471219, JD7759, JD7798	Zerk - Grease	2	<b>0.41</b>	
80	<b>R302-5</b>	JD7797, JD7842, JD7844	Fitting - Grease	2	<b>0.27</b>	
81	<b>RAA35741</b>	AA35741, AET10129, TCA22836	Bearing	2	<b>18.80</b>	

*Tech Note: 1/4" Side Hole:*

All original equipment manufacturers names and part numbers are used for identification purposes only, and we are in no way implying that our products are original equipment parts. Prices subject to change without notice.